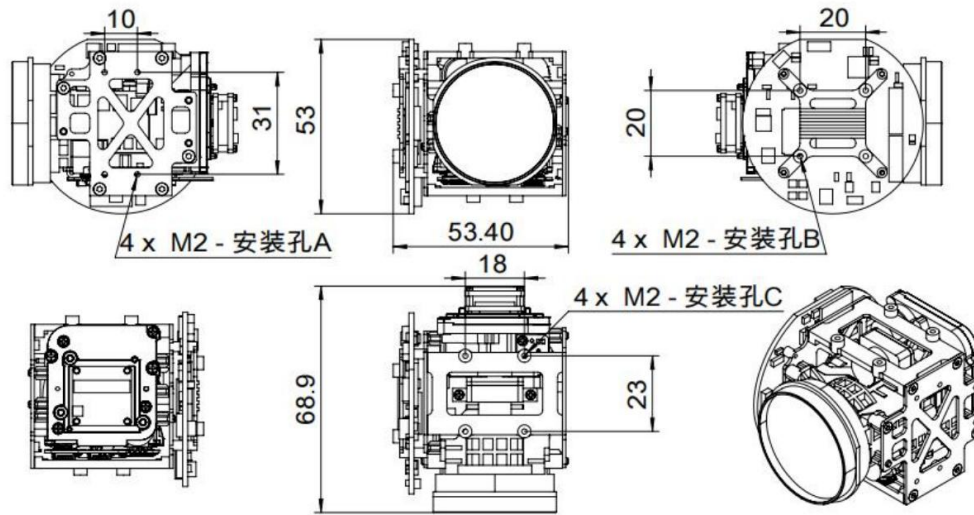


## **Product highlights:**

- 1.Integrated video tracking function
- 2.target recognition
- 3.visible light 10 x optical zoom
- 4.video compression storage
- 5.scene adaptable
- 6.OSD interface display
- 7.communication interface is rich
- 8.small volume, low power consumption

# Dimensions



## Parameters

<b>MODEL</b>		<b>WL-01</b>
<b>visible light</b>	resolution ratio	1920×1080
	Field Angle	61.3°~36.9° 6.8°~3.9°
	Focal length	4.7mm~47mm
	Optical zoom	10X
<b>Tracking index</b>	Data refresh rate	60Hz
	Output delay lag	< 16ms
	Minimum target contrast	5%
	Tracking speed	±32 pixels/field
	Target memory tracking function	have
	Target size	16×16 ~ 128×128 pixels
<b>Electrical interface</b>	Video output	Network port
	Communication interface	TTL
	Power input	Dc 12V to 16V
	Video storage	SD card storage MP4 video (factory program is 32G, the maximum can support 128G)
<b>Environment suitability</b>	Working temperature	-20℃~60℃
	Storage temperature	-45℃~65℃
<b>Others</b>	Size	53.4*53*68.9mm
	Weight	<120g
	Power	≤5.2W